

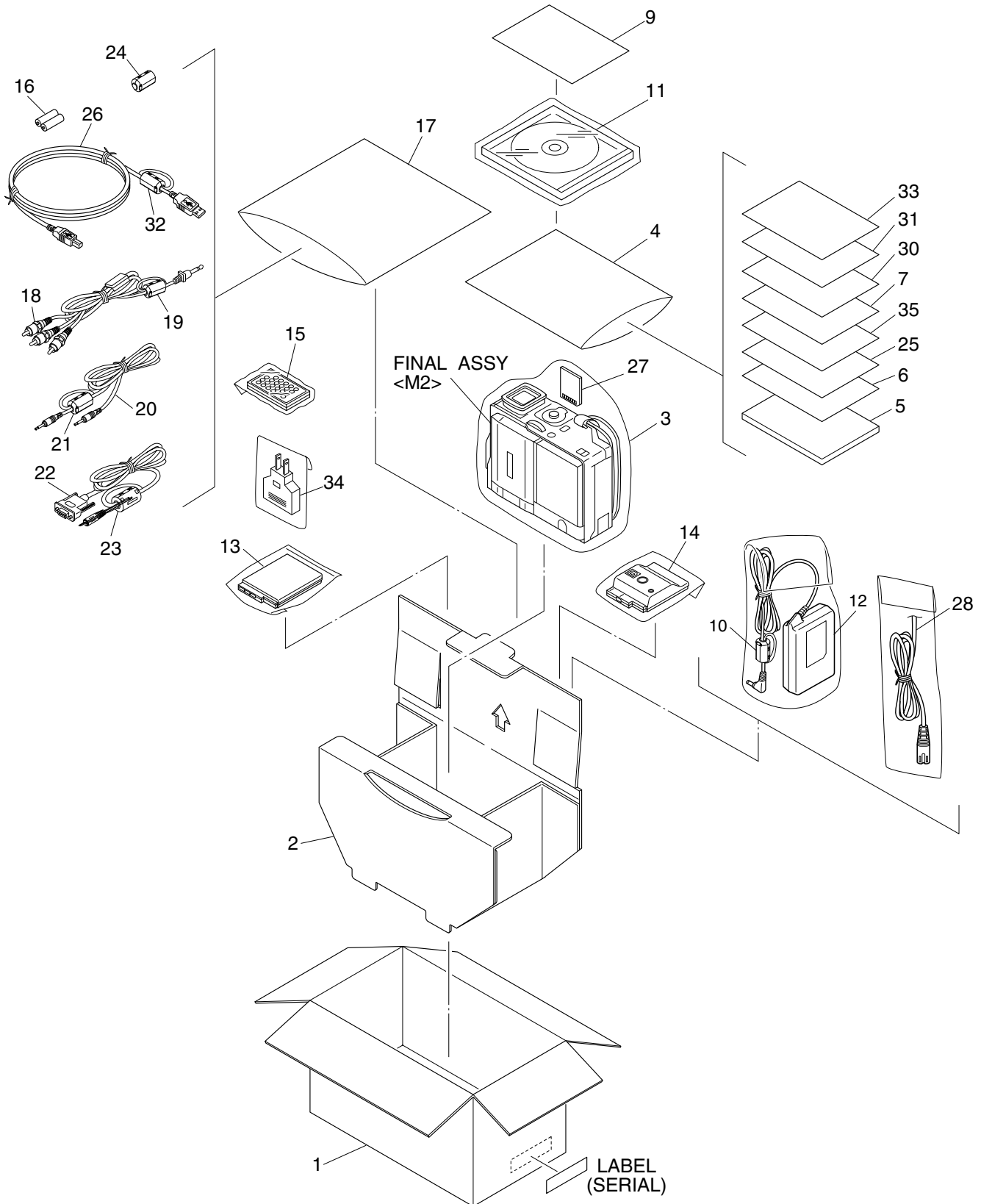
# SECTION 5 PARTS LIST

## SAFETY PRECAUTION

Parts identified by the  $\triangle$  symbol are critical for safety. Replace only with specified part numbers.

### 5.1 PACKING AND ACCESSORY ASSEMBLY <M1>

The instruction manual to be provided with this product will differ according to the destination.



# △ REF No. PART No. PART NAME, DESCRIPTION

\*\*\*\*\*

**PACKING AND ACCESSORY ASSEMBLY <M1>**

1	LY32032-009A	PACKING CASE,E,F
	LY32032-010A	PACKING CASE,A,B
	LY31717-022A	PACKING CASE,G
	LY31717-023A	PACKING CASE,C,D
2	LY20588-001A	CUSHION
3	LY30023-003A	POLY BAG
4	QPA02003006	POLY BAG,C,D,G
	QPA02003506	POLY BAG,A,B,E,F
△ 5	LYT0776-001A	INST.BOOK(EN)
△	LYT0776-002A	INST.BOOK(GE),A,B,E,F
△	LYT0776-003A	INST.BOOK(FR),A,B,E,F
△	LYT0776-004A	INST.BOOK(CH),A,B,E,F
△	LYT0776-005A	INST.BOOK(RU),A,B,E,F
△	LYT0776-006A	INST.BOOK(AR),A,B,E,F
△ 6	LYT0788-001A	INST.BOOK(SOFT.SETUP),A
△	LYT0501-001A	INST.BOOK(SOFT.SETUP),C,D
7	LYT0378-003A	SHEET(AGREMENT)
9	BT-56001-2	WARRANTY CARD,C,G
10	QQR0490-002	CORE FILTER
11	LY32210-002A	CD ROM,C
	LY32210-002B	CD ROM,A,B,D
	LY32210-004B	CD ROM,E,F,G
△ 12	LY20688-003A	AC ADAPTER,AP-V10A,A,D,E
△	LY20688-007A	AC ADAPTER,AP-V10EA,C,G
△	LY20688-014A	AC ADAPTER,AP-V10A-S,B,F
△ 13	LY31174-006A	BATTERY PACK,BN-V507U
14	LY32142-001B	JACK BOX,CU-V506,E,F,G
	LY32142-002B	JACK BOX,CU-V505,A,B,C,D
15	LY20750-001A	REMOTE CONTROL UNIT,RM-V717U
16	-	BATTERY,AAA(R03),X2
17	QPA01703005	POLY BAG,A,B,C,D
18	QAM0347-001	CABLE ASSY,AUDIO/VIDEO CABLE
19	QQR0918-002	CORE FILTER,A,B,C,D
20	PEAC0428-150	CABLE ASSY,EDITING CABLE,E,F,G
	QAM0214-001	RM(EDITING)CABLE,A,B,C,D
21	QQR0491-002	CORE FILTER,A,B,C,D
22	QAM0084-001	PC CABLE,A,B,C,D
23	QQR0918-002	CORE FILTER,A,B,C,D
24	QQR0491-002	CORE FILTER,A,B,C,D
△ 25	LYT0772-001A	INST.BOOK(SOFT.4LANG),E,F
△	LYT0773-001A	INST.BOOK(SOFT.4LANG),B
26	QAM0322-001	USB CABLE,E,F,G
27	QAM0262-002	MEMORY CARD,E,F,G
△ 28	QMPH020-190-JR	POWER CORD,C,G
△	QMPL120-190-JR	POWER CORD,A,D,E
△	QMPS110-190-JR	POWER CORD,B,F
30	LYT0760-004A	SHEET(ATT.),E,F,G
31	BT-56002-2	SER.NET CARD,C,G
32	QQR0918-001	CORE FILTER,E,F,G
33	LYT0609-001A	SHEET(CON.PLUG),A,B,D,E,F
△ 34	PEMC1012	CONVERSION PLUG,B,F
△	PEMC1012-02	CONVERSION PLUG,A,D,E
△ 35	LYT0761-001B	INST.BOOK(SOFT.EN),G

MODEL	MARK
GR-DVX48A	A
GR-DVX48A-S	B
GR-DVX48EA	C
GR-DVX49A	D
GR-DVX78A	E
GR-DVX78A-S	F
GR-DVX78EA	G

- **INSTRUCTIONS**
- EN ..... ENGLISH
- GE ..... GERMAN
- FR ..... FRENCH
- CH ..... CHINESE
- RU ..... RUSSIAN
- AR ..... ARABIAN

## 5.2 ELECTRICAL PARTS LIST (GR-DVX78A/A-S/EA)

#	△ REF No.	PART No.	PART NAME, DESCRIPTION
*****			
<b>MAIN BOARD ASSEMBLY &lt;01&gt;</b>			
PW		YB10319C-02	MAIN BOARD ASSY
IC1001		UPD703039F1-A10	IC(MICRO C ROM)
		or UPD70F3040F1A10	IC
IC1002		RS5C314	IC
IC1003		AT25160N-10SC-X	IC
		or NM25C160LZEM8	IC
		or X25170S8I-2.5-X	IC
IC1004		TC75S56FU	IC
IC1005		TC7S00FU	IC
		or SN74AHC1G00K	IC
IC1006		MB90097PFV142	IC(MICRO C ROM)
IC1007		TC74VHC08FT	IC(DIGITAL)
		or SN74LV08APW	IC
IC1009		IC-PST9323U-X	IC
IC1101		TA75W01FU	IC
IC1303		SN74LV02APW	IC
IC1401		YQ44888A	CSP IC ASSY
IC1404		TC7W14FU	IC(DIGITAL)
		or SN74AHC2G14T	IC
IC3001		JCY0133	IC
IC3002		JCY0136	IC
IC3003		TLC2940IPW	IC
IC3004		SN74AHC1G04K	IC
IC3006		JCY0164	IC
IC3501		JCY0132	IC
IC3701		MM1510XN	IC
IC3702		MM1510XN	IC
IC3703		MM1506XN	IC
IC3901		JCP8029	IC
IC3951		MM1504XN	IC
IC4201		HD49326BF	IC
IC4202		MM1385HN	IC
IC4301		JCY0150	IC
IC4302		TMS4C2973-28-X	IC
IC4303		TMS4C2973-28-X	IC
IC5501		JCY0117	IC
IC6001		S-80842ANNP-W	IC
IC6002		S-817A33ANB-W	IC
IC6101		FA3698F	IC
IC6601		TC7W74FU	IC(DIGITAL)
		or TC7WH74FU	IC(DIGITAL)
IC8001		JCY0121-4	IC
IC8002		MSM56V16160D1LS	IC
IC8003		M32310D5WG	IC
IC8004		39VF800A7CEKA10	IC(MICRO C ROM)
		or 39VF800A9CEKA10	IC(MICRO C ROM)
		or LE28DW8163T8A03	IC(MICRO C ROM)
IC8005		SN74AHC1G00K	IC
		or TC7S00FU	IC
IC8006		MM1385NN	IC
IC8007		MM1385EN	IC
IC8008		TC7WHU04FU	IC
IC8009		TC7WH74FK	IC
IC8010		TC7SH08FU	IC(DIGITAL)
IC8011		TC7WH74FK	IC
IC8012		TC7WH32FK	IC
IC8101		TMS320DA050-G	IC

#	△ REF No.	PART No.	PART NAME, DESCRIPTION
		or TMS320DA050	IC
IC8102		TC7MA2244FK	IC
IC8103		TC7S04FU	IC(DIGITAL)
IC8401		ML60851CLB	IC
		or ML60851DLB	IC
IC8402		S-80842ANNP-W	IC
Q1001		DTC124EE	TRANSISTOR
		or UN9212J	TRANSISTOR
Q1002		2SC4617/QR/-X	TRANSISTOR
Q1003		DTC143EE	TRANSISTOR
		or RN1101	TRANSISTOR
		or UN921LJ	TRANSISTOR
Q1004		DTA114EE	TRANSISTOR
		or PDTA114EE	TRANSISTOR
		or RN2102	TRANSISTOR
		or UN9111J	TRANSISTOR
Q1005		DTC144EE	TRANSISTOR
		or UN9213J	TRANSISTOR
		or PDTC144EE	TRANSISTOR
		or RN1104	TRANSISTOR
Q1006		DTA114EE	TRANSISTOR
		or PDTA114EE	TRANSISTOR
		or RN2102	TRANSISTOR
		or UN9111J	TRANSISTOR
Q1007		DTC144EE	TRANSISTOR
		or UN9213J	TRANSISTOR
		or PDTC144EE	TRANSISTOR
		or RN1104	TRANSISTOR
Q1301		2SC4617/RS/-X	TRANSISTOR
Q1401		DTA114EE	TRANSISTOR
		or PDTA114EE	TRANSISTOR
		or RN2102	TRANSISTOR
		or UN9111J	TRANSISTOR
Q1402		UMC3N	TRANSISTOR
Q1403		UMC3N	TRANSISTOR
Q1404		DTC144EE	TRANSISTOR
		or PDTC144EE	TRANSISTOR
		or RN1104	TRANSISTOR
		or UN9213J	TRANSISTOR
Q3701		UMT2N	PAIR TRANSISTOR
Q3702		2SA1774/RS/-X	TRANSISTOR
Q3703		UMZ1N	PAIR TRANSISTOR
		or PUMZ1	PAIR TRANSISTOR
Q3704		2SC4617/RS/-X	TRANSISTOR
Q3951		UMZ1N	PAIR TRANSISTOR
		or PUMZ1	PAIR TRANSISTOR
Q3952		DTC144EE	TRANSISTOR
		or PDTC144EE	TRANSISTOR
		or RN1104	TRANSISTOR
		or UN9213J	TRANSISTOR
Q3953		UMZ1N	PAIR TRANSISTOR
		or PUMZ1	PAIR TRANSISTOR
Q3954		2SC4617/RS/-X	TRANSISTOR
Q4301		UMT2N	PAIR TRANSISTOR
Q4302		UMT2N	PAIR TRANSISTOR
Q6001		DTC144EE	TRANSISTOR
		or PDTC144EE	TRANSISTOR
		or RN1104	TRANSISTOR
		or UN9213J	TRANSISTOR
Q6002		2SK3019	MOS FET
Q6003		2SJ347	MOS FET

#	△ REF No.	PART No.	PART NAME, DESCRIPTION	#	△ REF No.	PART No.	PART NAME, DESCRIPTION
		Q6004	2SB1121/TU/-X	TRANSISTOR	R1001	NRSA6AJ-104W	MG RESISTOR 100kΩ,1/16W
		Q6201	NDS352AP	MOS FET	R1002	NRSA6AJ-224W	MG RESISTOR 220kΩ,1/16W
		Q6202	2SA1577/QR/-X	TRANSISTOR	R1003	NRSA6AJ-472W	MG RESISTOR 4.7kΩ,1/16W
		Q6203	SSM6J07FU	MOS FET	R1004	NRSA6AJ-103W	MG RESISTOR 10kΩ,1/16W
		Q6204	CPH3304	MOS FET	R1005	NRSA6AJ-153W	MG RESISTOR 15kΩ,1/16W
		Q6205	CPH3101	TRANSISTOR	R1006	NRSA6AJ-103W	MG RESISTOR 10kΩ,1/16W
		Q6206	2SC4617/RS/-X	TRANSISTOR	R1007	NRSA6AJ-334W	MG RESISTOR 330kΩ,1/16W
		Q6208	SSM6J07FU	MOS FET	R1009	NRSA6AJ-151W	MG RESISTOR 150Ω,1/16W
		Q6210	SSM6J07FU	MOS FET	R1010	NRSA6AJ-561W	MG RESISTOR 560Ω,1/16W
		Q6211	NDS352AP	MOS FET	R1011	NRSA6AJ-103W	MG RESISTOR 10kΩ,1/16W
		Q6212	HN1C01FU/G/-X	PAIR TRANSISTOR	R1012	NRSA6AJ-102W	MG RESISTOR 1kΩ,1/16W
			or PUMX1	PAIR TRANSISTOR	R1013	NRSA6AJ-103W	MG RESISTOR 10kΩ,1/16W
		Q6213	2SA1577/RS/-X	TRANSISTOR	R1015	NRSA6AJ-474W	MG RESISTOR 470kΩ,1/16W
		Q6214	DTC144EE	TRANSISTOR	R1017	NRSA6AJ-104W	MG RESISTOR 100kΩ,1/16W
			or PDTC144EE	TRANSISTOR	R1018	NRSA6AJ-103W	MG RESISTOR 10kΩ,1/16W
			or UN9213J	TRANSISTOR	R1019	NRSA6AJ-0R0W	MG RESISTOR 0Ω,1/16W
			or RN1104	TRANSISTOR	R1020	NRSA6AJ-331W	MG RESISTOR 330Ω,1/16W
		Q6215	HN1A01FU/G/-X	PAIR TRANSISTOR	R1021	NRSA6AJ-331W	MG RESISTOR 330Ω,1/16W
			or PUMT1	PAIR TRANSISTOR	R1022	NRSA6AJ-331W	MG RESISTOR 330Ω,1/16W
		Q6216	2SC4617/RS/-X	TRANSISTOR	R1023	NRSA6AJ-103W	MG RESISTOR 10kΩ,1/16W
		Q6601	DTC144EE	TRANSISTOR	R1024	NRSA6AJ-823W	MG RESISTOR 82kΩ,1/16W
			or PDTC144EE	TRANSISTOR	R1025	NRSA6AJ-623W	MG RESISTOR 62kΩ,1/16W
			or UN9213J	TRANSISTOR	R1026	NRSA6AJ-104W	MG RESISTOR 100kΩ,1/16W
			or RN1104	TRANSISTOR	R1027	NRSA6AJ-104W	MG RESISTOR 100kΩ,1/16W
		Q6602	UMS1N	PAIR TRANSISTOR	R1028	NRSA6AJ-185W	MG RESISTOR 1.8MΩ,1/16W
		Q6611	2SA1774/RS/-X	TRANSISTOR	R1029	NRSA6AJ-473W	MG RESISTOR 47kΩ,1/16W
		Q6612	UMS1N	PAIR TRANSISTOR	R1030	NRSA6AJ-104W	MG RESISTOR 100kΩ,1/16W
		Q6613	2SC4617/RS/-X	TRANSISTOR	R1031	NRSA6AJ-102W	MG RESISTOR 1kΩ,1/16W
		Q6614	RN1702	TRANSISTOR	R1032	NRSA6AJ-104W	MG RESISTOR 100kΩ,1/16W
		Q6615	UMC4N	TRANSISTOR	R1033	NRSA6AJ-102W	MG RESISTOR 1kΩ,1/16W
		Q6701	TPC6102	MOS FET	R1034	NRSA6AJ-102W	MG RESISTOR 1kΩ,1/16W
		Q7001	UMZ1N	PAIR TRANSISTOR	R1037	NRSA6AJ-103W	MG RESISTOR 10kΩ,1/16W
			or PUMZ1	PAIR TRANSISTOR	R1039	NRSA6AJ-103W	MG RESISTOR 10kΩ,1/16W
		Q8401	DTA114EE	TRANSISTOR	R1040	NRSA6AJ-103W	MG RESISTOR 10kΩ,1/16W
			or PDA114EE	TRANSISTOR	R1044	NRSA6AJ-123W	MG RESISTOR 12kΩ,1/16W
			or UN9111J	TRANSISTOR	R1045	NRSA6AJ-822W	MG RESISTOR 8.2kΩ,1/16W
			or RN2102	TRANSISTOR	R1046	NRSA6AJ-103W	MG RESISTOR 10kΩ,1/16W
		D1001	DA221	DIODE	R1047	NRSA6AJ-473W	MG RESISTOR 47kΩ,1/16W
		D1302	RB501V-40-X	SB DIODE	R1048	NRSA6AJ-473W	MG RESISTOR 47kΩ,1/16W
		D2901	EMZ6.8N	ZENER DIODE	R1049	NRSA6AJ-393W	MG RESISTOR 39kΩ,1/16W
		D2902	EMZ6.8N	ZENER DIODE	R1050	NRSA6AJ-223W	MG RESISTOR 22kΩ,1/16W
		D2903	EMZ6.8N	ZENER DIODE	R1051	NRSA6AJ-272W	MG RESISTOR 2.7kΩ,1/16W
		D2905	EMZ6.8N	ZENER DIODE	R1052	NRSA6AJ-183W	MG RESISTOR 18kΩ,1/16W
		D3001	EC2C01C	VARI CAP DIODE	R1053	NRSA6AJ-154W	MG RESISTOR 150kΩ,1/16W
		D3002	EC2C01C	VARI CAP DIODE	R1054	NRSA6AJ-473W	MG RESISTOR 47kΩ,1/16W
		D3003	EC2C01C	VARI CAP DIODE	R1055	NRSA6AJ-103W	MG RESISTOR 10kΩ,1/16W
		D3701	UMZ6.8EN	ZENER DIODE	R1056	NRSA6AJ-472W	MG RESISTOR 4.7kΩ,1/16W
		D5501	1SS355	DIODE	R1057	NRSA6AJ-473W	MG RESISTOR 47kΩ,1/16W
△		D6001	RB706D-40-X	SB DIODE	R1058	NRSA6AJ-222W	MG RESISTOR 2.2kΩ,1/16W
		D6002	RB715F	SB DIODE	R1060	NRSA6AJ-105W	MG RESISTOR 1MΩ,1/16W
		D6201	CRS06	SB DIODE	R1061	NRSA6AJ-102W	MG RESISTOR 1kΩ,1/16W
		D6202	CRS06	SB DIODE	R1062	NRSA6AJ-102W	MG RESISTOR 1kΩ,1/16W
		D6203	CRS06	SB DIODE	R1063	NRSA6AJ-0R0W	MG RESISTOR 0Ω,1/16W
		D6204	CRS06	SB DIODE	R1064	NRSA6AJ-0R0W	MG RESISTOR 0Ω,1/16W
		D6205	CRS06	SB DIODE	R1065	NRSA6AJ-473W	MG RESISTOR 47kΩ,1/16W
		D6206	1SS383	SB DIODE	R1066	NRSA6AJ-473W	MG RESISTOR 47kΩ,1/16W
		D6207	MA8091/L/-X	ZENER DIODE	R1070	NRSA6AJ-103W	MG RESISTOR 10kΩ,1/16W
		D6701	CRS09	SB DIODE	R1071	NRSA6AJ-474W	MG RESISTOR 470kΩ,1/16W
		D6702	CRS09	SB DIODE	R1072	NRSA6AJ-104W	MG RESISTOR 100kΩ,1/16W
		D8001	RB751V-40-X	SB DIODE	R1073	NRSA6AJ-103W	MG RESISTOR 10kΩ,1/16W
		D8401	RB751V-40-X	SB DIODE	R1074	NRSA6AJ-103W	MG RESISTOR 10kΩ,1/16W

#	△	REF No.	PART No.	PART NAME, DESCRIPTION		#	△	REF No.	PART No.	PART NAME, DESCRIPTION	
R1075			NRSA6AJ-103W	MG RESISTOR	10kΩ,1/16W	R3023			NRSA6AJ-0R0W	MG RESISTOR	0Ω,1/16W
R1076			NRSA6AJ-0R0W	MG RESISTOR	0Ω,1/16W	R3024			NRSA6AJ-0R0W	MG RESISTOR	0Ω,1/16W
R1080			NRSA6AJ-104W	MG RESISTOR	100kΩ,1/16W	R3027			NRSA6AJ-103W	MG RESISTOR	10kΩ,1/16W
R1101			NRSA6AJ-333W	MG RESISTOR	33kΩ,1/16W	R3029			NRSA6AJ-103W	MG RESISTOR	10kΩ,1/16W
R1102			NRSA6AJ-472W	MG RESISTOR	4.7kΩ,1/16W	R3030			NRSA6AJ-224W	MG RESISTOR	220kΩ,1/16W
R1104			NRSA6AJ-105W	MG RESISTOR	1MΩ,1/16W	R3031			NRSA6AJ-224W	MG RESISTOR	220kΩ,1/16W
R1106			NRSA6AJ-105W	MG RESISTOR	1MΩ,1/16W	R3033			NRSA6AJ-0R0W	MG RESISTOR	0Ω,1/16W
R1107			NRSA6AJ-103W	MG RESISTOR	10kΩ,1/16W	R3034			NRSA6AJ-222W	MG RESISTOR	2.2kΩ,1/16W
R1108			NRSA6AJ-472W	MG RESISTOR	4.7kΩ,1/16W	R3041			NRSA6AJ-561W	MG RESISTOR	560Ω,1/16W
R1109			NRSA6AJ-103W	MG RESISTOR	10kΩ,1/16W	R3042			NRSA6AJ-561W	MG RESISTOR	560Ω,1/16W
R1302			NRSA6AJ-472W	MG RESISTOR	4.7kΩ,1/16W	R3043			NRSA6AJ-561W	MG RESISTOR	560Ω,1/16W
R1306			NRSA6AJ-472W	MG RESISTOR	4.7kΩ,1/16W	R3044			NRSA6AJ-392W	MG RESISTOR	3.9kΩ,1/16W
R1401			NRSA6AJ-102W	MG RESISTOR	1kΩ,1/16W	R3046			NRSA6AD-222W	MG RESISTOR	2.2kΩ,1/16W
R1402			NRSA6AJ-222W	MG RESISTOR	2.2kΩ,1/16W	R3050			NRSA6AJ-101W	MG RESISTOR	100Ω,1/16W
R1403			NRSA6AJ-222W	MG RESISTOR	2.2kΩ,1/16W	R3052			NRSA6AJ-103W	MG RESISTOR	10kΩ,1/16W
R1408			NRSA6AJ-472W	MG RESISTOR	4.7kΩ,1/16W	R3053			NRSA6AJ-103W	MG RESISTOR	10kΩ,1/16W
R1409			NRSA6AJ-331W	MG RESISTOR	330Ω,1/16W	R3054			NRSA6AJ-103W	MG RESISTOR	10kΩ,1/16W
R1413			NRSA6AJ-331W	MG RESISTOR	330Ω,1/16W	R3055			NRSA6AJ-103W	MG RESISTOR	10kΩ,1/16W
R1414			NRSA6AJ-331W	MG RESISTOR	330Ω,1/16W	R3058			NRSA6AJ-101W	MG RESISTOR	100Ω,1/16W
R1415			NRSA6AJ-331W	MG RESISTOR	330Ω,1/16W	R3501			NRSA6AJ-471W	MG RESISTOR	470Ω,1/16W
R1416			NRSA6AJ-331W	MG RESISTOR	330Ω,1/16W	R3502			NRSA6AJ-104W	MG RESISTOR	100kΩ,1/16W
R1418			NRSA6AJ-221W	MG RESISTOR	220Ω,1/16W	R3503			NRSA6AJ-102W	MG RESISTOR	1kΩ,1/16W
R1419			NRSA6AJ-221W	MG RESISTOR	220Ω,1/16W	R3504			NRSA6AD-241W	MG RESISTOR	240Ω,1/16W
R1420			NRSA6AJ-473W	MG RESISTOR	47kΩ,1/16W	R3505			NRSA6AD-241W	MG RESISTOR	240Ω,1/16W
R1422			NRSA6AJ-332W	MG RESISTOR	3.3kΩ,1/16W	R3506			NRSA6AD-241W	MG RESISTOR	240Ω,1/16W
R1423			NRSA6AJ-332W	MG RESISTOR	3.3kΩ,1/16W	R3507			NRSA6AD-241W	MG RESISTOR	240Ω,1/16W
R1424			NRSA6AJ-332W	MG RESISTOR	3.3kΩ,1/16W	R3508			NRSA6AJ-223W	MG RESISTOR	22kΩ,1/16W
R1425			NRVA6AD-753W	CMF RESISTOR	75kΩ,1/16W	R3521			NRSA6AJ-0R0W	MG RESISTOR	0Ω,1/16W
R1426			NRSA6AJ-334W	MG RESISTOR	330kΩ,1/16W	R3522			NRSA6AJ-0R0W	MG RESISTOR	0Ω,1/16W
R1427			NRSA6AJ-103W	MG RESISTOR	10kΩ,1/16W	R3701			NRSA6AD-121W	MG RESISTOR	120Ω,1/16W
R1428			NRSA6AJ-153W	MG RESISTOR	15kΩ,1/16W	R3702			NRSA6AD-121W	MG RESISTOR	120Ω,1/16W
R1429			NRSA6AJ-102W	MG RESISTOR	1kΩ,1/16W	R3703			NRSA6AJ-472W	MG RESISTOR	4.7kΩ,1/16W
R1430			NRSA6AJ-102W	MG RESISTOR	1kΩ,1/16W	R3706			NRSA6AD-111W	MG RESISTOR	110Ω,1/16W
R1432			NRSA6AJ-820W	MG RESISTOR	82Ω,1/16W	R3707			NRSA6AD-111W	MG RESISTOR	110Ω,1/16W
R1434			NRSA6AJ-683W	MG RESISTOR	68kΩ,1/16W	R3708			NRSA6AJ-472W	MG RESISTOR	4.7kΩ,1/16W
R1436			NRSA6AJ-683W	MG RESISTOR	68kΩ,1/16W	R3709			NRSA6AD-102W	MG RESISTOR	1kΩ,1/16W
R1437			NRVA6AD-103W	CMF RESISTOR	10kΩ,1/16W	R3710			NRSA6AD-102W	MG RESISTOR	1kΩ,1/16W
R1439			NRSA6AJ-332W	MG RESISTOR	3.3kΩ,1/16W	R3711			NRSA6AJ-222W	MG RESISTOR	2.2kΩ,1/16W
R1440			NRSA6AJ-332W	MG RESISTOR	3.3kΩ,1/16W	R3712			NRSA6AJ-104W	MG RESISTOR	100kΩ,1/16W
R1441			NRSA6AJ-332W	MG RESISTOR	3.3kΩ,1/16W	R3713			NRSA6AD-680W	MG RESISTOR	68Ω,1/16W
R1442			NRSA6AJ-332W	MG RESISTOR	3.3kΩ,1/16W	R3714			NRSA6AD-680W	MG RESISTOR	68Ω,1/16W
R1443			NRSA6AJ-102W	MG RESISTOR	1kΩ,1/16W	R3715			NRSA6AJ-103W	MG RESISTOR	10kΩ,1/16W
R1444			NRSA6AJ-102W	MG RESISTOR	1kΩ,1/16W	R3716			NRSA6AJ-103W	MG RESISTOR	10kΩ,1/16W
R1445			NRSA6AJ-101W	MG RESISTOR	100Ω,1/16W	R3717			NRSA6AJ-105W	MG RESISTOR	1MΩ,1/16W
R3002			NRSA6AJ-103W	MG RESISTOR	10kΩ,1/16W	R3718			NRSA6AJ-823W	MG RESISTOR	82kΩ,1/16W
R3004			NRSA6AJ-103W	MG RESISTOR	10kΩ,1/16W	R3719			NRSA6AJ-104W	MG RESISTOR	100kΩ,1/16W
R3007			NRSA6AJ-562W	MG RESISTOR	5.6kΩ,1/16W	R3720			NRSA6AJ-103W	MG RESISTOR	10kΩ,1/16W
R3008			NRSA6AJ-222W	MG RESISTOR	2.2kΩ,1/16W	R3721			NRSA6AJ-101W	MG RESISTOR	100Ω,1/16W
R3009			NRSA6AJ-103W	MG RESISTOR	10kΩ,1/16W	R3722			NRSA6AJ-472W	MG RESISTOR	4.7kΩ,1/16W
R3010			NRSA6AJ-103W	MG RESISTOR	10kΩ,1/16W	R3723			NRSA6AJ-472W	MG RESISTOR	4.7kΩ,1/16W
R3011			NRSA6AJ-224W	MG RESISTOR	220kΩ,1/16W	R3901			NRSA6AD-331W	MG RESISTOR	330Ω,1/16W
R3013			NRSA6AJ-242W	MG RESISTOR	2.4kΩ,1/16W	R3902			NRSA6AJ-102W	MG RESISTOR	1kΩ,1/16W
R3014			NRSA6AJ-392W	MG RESISTOR	3.9kΩ,1/16W	R3903			NRSA6AJ-102W	MG RESISTOR	1kΩ,1/16W
R3015			NRSA6AJ-392W	MG RESISTOR	3.9kΩ,1/16W	R3904			NRSA6AD-391W	MG RESISTOR	390Ω,1/16W
R3016			NRSA6AD-560W	MG RESISTOR	56Ω,1/16W	R3905			NRSA63J-0R0X	MG RESISTOR	0Ω,1/16W
R3017			NRSA6AD-560W	MG RESISTOR	56Ω,1/16W	R3911			NRSA6AJ-0R0W	MG RESISTOR	0Ω,1/16W
R3018			NRSA6AD-560W	MG RESISTOR	56Ω,1/16W	R3951			NRSA6AD-561W	MG RESISTOR	560Ω,1/16W
R3019			NRSA6AD-560W	MG RESISTOR	56Ω,1/16W	R3953			NRSA6AD-152W	MG RESISTOR	1.5kΩ,1/16W
R3020			NRSA6AD-512W	MG RESISTOR	5.1kΩ,1/16W	R3954			NRSA6AJ-222W	MG RESISTOR	2.2kΩ,1/16W
R3021			NRSA6AJ-0R0W	MG RESISTOR	0Ω,1/16W	R3955			NRSA6AJ-102W	MG RESISTOR	1kΩ,1/16W
R3022			NRSA6AJ-0R0W	MG RESISTOR	0Ω,1/16W	R3956			NRSA6AJ-474W	MG RESISTOR	470kΩ,1/16W

#	△ REF No.	PART No.	PART NAME, DESCRIPTION	#	△ REF No.	PART No.	PART NAME, DESCRIPTION	
R3961		NRSA6AD-561W	MG RESISTOR	560Ω,1/16W	R5507	NRSA6AJ-0R0W	MG RESISTOR	0Ω,1/16W
R3962		NRSA6AJ-822W	MG RESISTOR	8.2kΩ,1/16W	R5509	NRSA6AJ-470W	MG RESISTOR	47Ω,1/16W
R3963		NRSA6AD-182W	MG RESISTOR	1.8kΩ,1/16W	R5510	NRSA6AJ-470W	MG RESISTOR	47Ω,1/16W
R3964		NRSA6AJ-183W	MG RESISTOR	18kΩ,1/16W	R5511	NRSA6AJ-470W	MG RESISTOR	47Ω,1/16W
R3965		NRSA6AJ-183W	MG RESISTOR	18kΩ,1/16W	R5512	NRSA6AJ-102W	MG RESISTOR	1kΩ,1/16W
R3966		NRSA6AJ-681W	MG RESISTOR	680Ω,1/16W	R5513	NRSA6AJ-102W	MG RESISTOR	1kΩ,1/16W
R3967		NRSA6AJ-821W	MG RESISTOR	820Ω,1/16W	R5514	NRSA6AJ-102W	MG RESISTOR	1kΩ,1/16W
R3968		NRSA6AJ-821W	MG RESISTOR	820Ω,1/16W	R6001	NRSA6AJ-104W	MG RESISTOR	100kΩ,1/16W
R3969		NRSA6AJ-102W	MG RESISTOR	1kΩ,1/16W	R6002	NRSA6AJ-104W	MG RESISTOR	100kΩ,1/16W
R4202		NRSA6AJ-0R0W	MG RESISTOR	0Ω,1/16W	R6003	NRSA6AJ-224W	MG RESISTOR	220kΩ,1/16W
R4203		NRSA6AJ-0R0W	MG RESISTOR	0Ω,1/16W	R6004	NRSA6AJ-183W	MG RESISTOR	18kΩ,1/16W
R4204		NRSA6AJ-220W	MG RESISTOR	22Ω,1/16W	R6005	NRSA6AJ-104W	MG RESISTOR	100kΩ,1/16W
R4205		NRSA6AJ-243W	MG RESISTOR	24kΩ,1/16W	△ R6008	NRSA63J-471X	MG RESISTOR	470Ω,1/16W
R4206		NRSA6AJ-102W	MG RESISTOR	1kΩ,1/16W	△ R6009	NRSA63J-102X	MG RESISTOR	1kΩ,1/16W
R4207		NRSA6AJ-102W	MG RESISTOR	1kΩ,1/16W	R6010	NRSA6AJ-473W	MG RESISTOR	47kΩ,1/16W
R4208		NRSA6AJ-102W	MG RESISTOR	1kΩ,1/16W	R6011	NRSA6AJ-102W	MG RESISTOR	1kΩ,1/16W
R4301		NRSA6AJ-101W	MG RESISTOR	100Ω,1/16W	R6012	NRVA6AD-104W	CMF RESISTOR	100kΩ,1/16W
R4302		NRSA6AJ-100W	MG RESISTOR	10Ω,1/16W	R6013	NRVA6AD-683W	CMF RESISTOR	68kΩ,1/16W
R4304		NRSA6AJ-0R0W	MG RESISTOR	0Ω,1/16W	R6014	NRSA63J-0R0X	MG RESISTOR	0Ω,1/16W
R4305		NRSA6AJ-0R0W	MG RESISTOR	0Ω,1/16W	R6015	NRVA6AD-104W	CMF RESISTOR	100kΩ,1/16W
R4307		NRVA6AD-333W	CMF RESISTOR	33kΩ,1/16W	R6016	NRVA6AD-333W	CMF RESISTOR	33kΩ,1/16W
R4308		NRVA6AD-682W	CMF RESISTOR	6.8kΩ,1/16W	R6101	NRVA6AD-103W	CMF RESISTOR	10kΩ,1/16W
R4309		NRSA6AJ-0R0W	MG RESISTOR	0Ω,1/16W	R6102	NRVA6AD-471W	CMF RESISTOR	470Ω,1/16W
R4311		NRVA6AD-272W	CMF RESISTOR	2.7kΩ,1/16W	R6103	NRVA6AD-622W	CMF RESISTOR	6.2kΩ,1/16W
R4312		NRVA6AD-132W	CMF RESISTOR	1.3kΩ,1/16W	R6106	NRSA6AJ-333W	MG RESISTOR	33kΩ,1/16W
R4313		NRVA6AD-132W	CMF RESISTOR	1.3kΩ,1/16W	R6107	NRVA6AD-562W	CMF RESISTOR	5.6kΩ,1/16W
R4314		NRVA6AD-123W	CMF RESISTOR	12kΩ,1/16W	R6108	NRSA6AJ-223W	MG RESISTOR	22kΩ,1/16W
R4315		NRVA6AD-103W	CMF RESISTOR	10kΩ,1/16W	R6110	NRSA6AJ-0R0W	MG RESISTOR	0Ω,1/16W
R4316		NRVA6AD-111W	CMF RESISTOR	110Ω,1/16W	R6112	NRSA6AJ-0R0W	MG RESISTOR	0Ω,1/16W
R4317		NRSA6AJ-0R0W	MG RESISTOR	0Ω,1/16W	R6113	NRSA6AJ-472W	MG RESISTOR	4.7kΩ,1/16W
R4318		NRSA6AJ-152W	MG RESISTOR	1.5kΩ,1/16W	R6114	NRSA6AJ-823W	MG RESISTOR	82kΩ,1/16W
R4319		NRVA6AD-111W	CMF RESISTOR	110Ω,1/16W	R6115	NRSA6AJ-823W	MG RESISTOR	82kΩ,1/16W
R4320		NRSA6AJ-0R0W	MG RESISTOR	0Ω,1/16W	R6116	NRVA6AD-153W	CMF RESISTOR	15kΩ,1/16W
R4321		NRSA6AJ-152W	MG RESISTOR	1.5kΩ,1/16W	R6117	NRSA6AJ-0R0W	MG RESISTOR	0Ω,1/16W
R4322		NRVA6AD-111W	CMF RESISTOR	110Ω,1/16W	R6118	NRSA6AJ-102W	MG RESISTOR	1kΩ,1/16W
R4323		NRVA6AD-101W	CMF RESISTOR	100Ω,1/16W	R6124	NRSA6AJ-102W	MG RESISTOR	1kΩ,1/16W
R4324		NRSA6AJ-152W	MG RESISTOR	1.5kΩ,1/16W	R6201	NRVA6AD-243W	CMF RESISTOR	24kΩ,1/16W
R4326		NRSA6AJ-0R0W	MG RESISTOR	0Ω,1/16W	R6203	NRVA6AD-123W	CMF RESISTOR	12kΩ,1/16W
R4327		NRSA6AJ-152W	MG RESISTOR	1.5kΩ,1/16W	R6204	NRSA6AJ-473W	MG RESISTOR	47kΩ,1/16W
R4328		NRSA6AJ-0R0W	MG RESISTOR	0Ω,1/16W	R6205	NRSA6AJ-102W	MG RESISTOR	1kΩ,1/16W
R4329		NRSA6AJ-0R0W	MG RESISTOR	0Ω,1/16W	R6206	NRVA6AD-183W	CMF RESISTOR	18kΩ,1/16W
R4333		NRSA6AJ-0R0W	MG RESISTOR	0Ω,1/16W	R6207	NRVA6AD-123W	CMF RESISTOR	12kΩ,1/16W
R4336		NRSA6AJ-0R0W	MG RESISTOR	0Ω,1/16W	R6208	NRVA6AD-123W	CMF RESISTOR	12kΩ,1/16W
R4337		NRSA6AJ-0R0W	MG RESISTOR	0Ω,1/16W	R6209	NRVA6AD-153W	CMF RESISTOR	15kΩ,1/16W
R4338		NRSA6AJ-220W	MG RESISTOR	22Ω,1/16W	R6210	NRVA6AD-183W	CMF RESISTOR	18kΩ,1/16W
R4339		NRSA6AJ-0R0W	MG RESISTOR	0Ω,1/16W	R6212	NRVA6AD-472W	CMF RESISTOR	4.7kΩ,1/16W
R4340		NRSA6AJ-0R0W	MG RESISTOR	0Ω,1/16W	R6213	NRSA6AJ-103W	MG RESISTOR	10kΩ,1/16W
R4341		NRSA6AJ-0R0W	MG RESISTOR	0Ω,1/16W	R6214	NRSA6AJ-152W	MG RESISTOR	1.5kΩ,1/16W
R4343		NRSA6AJ-0R0W	MG RESISTOR	0Ω,1/16W	R6215	NRSA6AJ-473W	MG RESISTOR	47kΩ,1/16W
R4344		NRSA6AJ-220W	MG RESISTOR	22Ω,1/16W	R6219	NRVA6AD-243W	CMF RESISTOR	24kΩ,1/16W
R4346		NRSA63J-0R0X	MG RESISTOR	0Ω,1/16W	R6220	NRVA6AD-302W	CMF RESISTOR	3kΩ,1/16W
R4347		NRSA6AJ-223W	MG RESISTOR	22kΩ,1/16W	R6221	NRVA6AD-104W	CMF RESISTOR	100kΩ,1/16W
R4348		NRSA6AJ-223W	MG RESISTOR	22kΩ,1/16W	R6223	NRVA6AD-123W	CMF RESISTOR	12kΩ,1/16W
R4349		NRSA6AJ-223W	MG RESISTOR	22kΩ,1/16W	R6224	NRVA6AD-473W	CMF RESISTOR	47kΩ,1/16W
R4350		NRSA6AJ-223W	MG RESISTOR	22kΩ,1/16W	R6225	NRVA6AD-562W	CMF RESISTOR	5.6kΩ,1/16W
R4351		NRSA6AJ-223W	MG RESISTOR	22kΩ,1/16W	R6226	NRVA6AD-223W	CMF RESISTOR	22kΩ,1/16W
R5501		NRSA6AJ-0R0W	MG RESISTOR	0Ω,1/16W	R6227	NRVA6AD-473W	CMF RESISTOR	47kΩ,1/16W
R5503		NRSA6AJ-0R0W	MG RESISTOR	0Ω,1/16W	R6228	NRVA6AD-473W	CMF RESISTOR	47kΩ,1/16W
R5504		NRSA6AJ-0R0W	MG RESISTOR	0Ω,1/16W	R6229	NRVA6AD-332W	CMF RESISTOR	3.3kΩ,1/16W
R5505		NRSA6AJ-0R0W	MG RESISTOR	0Ω,1/16W	R6230	NRSA6AJ-272W	MG RESISTOR	2.7kΩ,1/16W
R5506		NRSA6AJ-0R0W	MG RESISTOR	0Ω,1/16W	R6231	NRVA6AD-104W	CMF RESISTOR	100kΩ,1/16W

#	△	REF No.	PART No.	PART NAME, DESCRIPTION		#	△	REF No.	PART No.	PART NAME, DESCRIPTION	
R6232			NRVA6AD-473W	CMF RESISTOR	47kΩ,1/16W	R8047			NRSA6AJ-101W	MG RESISTOR	100Ω,1/16W
R6233			NRSA6AJ-822W	MG RESISTOR	8.2kΩ,1/16W	R8051			NRSA6AJ-473W	MG RESISTOR	47kΩ,1/16W
R6234			NRSA6AJ-273W	MG RESISTOR	27kΩ,1/16W	R8056			NRSA6AJ-101W	MG RESISTOR	100Ω,1/16W
R6235			NRVA6AD-683W	CMF RESISTOR	68kΩ,1/16W	R8057			NRSA6AJ-103W	MG RESISTOR	10kΩ,1/16W
R6236			NRVA6AD-473W	CMF RESISTOR	47kΩ,1/16W	R8058			NRSA6AJ-103W	MG RESISTOR	10kΩ,1/16W
R6237			NRVA6AD-753W	CMF RESISTOR	75kΩ,1/16W	R8059			NRSA6AJ-473W	MG RESISTOR	47kΩ,1/16W
R6238			NRVA6AD-104W	CMF RESISTOR	100kΩ,1/16W	R8075			NRSA6AJ-0R0W	MG RESISTOR	0Ω,1/16W
R6239			NRSA6AJ-103W	MG RESISTOR	10kΩ,1/16W	R8076			NRSA6AJ-0R0W	MG RESISTOR	0Ω,1/16W
R6240			NRSA6AJ-333W	MG RESISTOR	33kΩ,1/16W	R8077			NRSA6AJ-0R0W	MG RESISTOR	0Ω,1/16W
R6241			NRSA6AJ-102W	MG RESISTOR	1kΩ,1/16W	R8080			NRSA6AJ-103W	MG RESISTOR	10kΩ,1/16W
R6242			NRSA6AJ-104W	MG RESISTOR	100kΩ,1/16W	R8101			NRSA6AJ-473W	MG RESISTOR	47kΩ,1/16W
R6243			NRSA6AJ-823W	MG RESISTOR	82kΩ,1/16W	R8104			NRSA6AJ-473W	MG RESISTOR	47kΩ,1/16W
R6247			NRSA6AJ-0R0W	MG RESISTOR	0Ω,1/16W	R8105			NRSA6AJ-473W	MG RESISTOR	47kΩ,1/16W
R6249			NRSA6AJ-0R0W	MG RESISTOR	0Ω,1/16W	R8106			NRSA6AJ-221W	MG RESISTOR	220Ω,1/16W
R6251			NRSA6AJ-0R0W	MG RESISTOR	0Ω,1/16W	R8107			NRSA6AJ-221W	MG RESISTOR	220Ω,1/16W
R6253			NRSA6AJ-0R0W	MG RESISTOR	0Ω,1/16W	R8108			NRSA6AJ-473W	MG RESISTOR	47kΩ,1/16W
R6255			NRSA6AJ-0R0W	MG RESISTOR	0Ω,1/16W	R8110			NRSA6AJ-473W	MG RESISTOR	47kΩ,1/16W
R6257			NRSA6AJ-0R0W	MG RESISTOR	0Ω,1/16W	R8115			NRSA6AJ-221W	MG RESISTOR	220Ω,1/16W
R6601			NRSA6AJ-822W	MG RESISTOR	8.2kΩ,1/16W	R8116			NRSA6AJ-473W	MG RESISTOR	47kΩ,1/16W
R6603			NRVA6AD-683W	CMF RESISTOR	68kΩ,1/16W	R8117			NRSA6AJ-473W	MG RESISTOR	47kΩ,1/16W
R6604			NRVA6AD-104W	CMF RESISTOR	100kΩ,1/16W	R8118			NRSA6AJ-221W	MG RESISTOR	220Ω,1/16W
R6605			NRSA6AJ-184W	MG RESISTOR	180kΩ,1/16W	R8119			NRSA6AJ-473W	MG RESISTOR	47kΩ,1/16W
R6606			NRSA6AJ-823W	MG RESISTOR	82kΩ,1/16W	R8120			NRSA6AJ-221W	MG RESISTOR	220Ω,1/16W
R6611			NRSA6AJ-335W	MG RESISTOR	3.3MΩ,1/16W	R8122			NRSA6AJ-105W	MG RESISTOR	1MΩ,1/16W
R6612			NRSA6AJ-474W	MG RESISTOR	470kΩ,1/16W	R8124			NRSA6AJ-472W	MG RESISTOR	4.7kΩ,1/16W
R6613			NRSA6AJ-473W	MG RESISTOR	47kΩ,1/16W	R8128			NRSA6AJ-472W	MG RESISTOR	4.7kΩ,1/16W
R6614			NRSA6AJ-473W	MG RESISTOR	47kΩ,1/16W	R8129			NRSA6AJ-105W	MG RESISTOR	1MΩ,1/16W
R6615			NRSA6AJ-474W	MG RESISTOR	470kΩ,1/16W	R8130			NRSA6AJ-101W	MG RESISTOR	100Ω,1/16W
R6616			NRSA6AJ-273W	MG RESISTOR	27kΩ,1/16W	R8131			NRSA6AJ-0R0W	MG RESISTOR	0Ω,1/16W
R6617			NRSA6AJ-333W	MG RESISTOR	33kΩ,1/16W	R8132			NRSA6AJ-680W	MG RESISTOR	68Ω,1/16W
R6701			NRZ0058-R20X	MG RESISTOR	0.2Ω,1/2W	R8133			NRSA6AJ-0R0W	MG RESISTOR	0Ω,1/16W
R6702			NRVA6AD-104W	CMF RESISTOR	100kΩ,1/16W	R8134			NRSA6AJ-0R0W	MG RESISTOR	0Ω,1/16W
R6703			NRVA6AD-123W	CMF RESISTOR	12kΩ,1/16W	R8401			NRSA6AJ-105W	MG RESISTOR	1MΩ,1/16W
R6712			NRVA6AD-823W	CMF RESISTOR	82kΩ,1/16W	R8402			NRS181J-220X	MG RESISTOR	22Ω,1/8W
R6713			NRVA6AD-333W	CMF RESISTOR	33kΩ,1/16W	R8403			NRS181J-220X	MG RESISTOR	22Ω,1/8W
R7001			NRVA6AD-183W	MG RESISTOR	18kΩ,1/16W	R8404			NRSA6AJ-152W	MG RESISTOR	1.5kΩ,1/16W
R7002			NRSA6AD-334W	MG RESISTOR	330kΩ,1/16W	R8405			NCBA1EK-472W	CAPACITOR	0.0047μF,25V
R7003			NRSA6AJ-224W	MG RESISTOR	220kΩ,1/16W	R8406			NRSA6AJ-153W	MG RESISTOR	15kΩ,1/16W
R7004			NRSA6AJ-393W	MG RESISTOR	39kΩ,1/16W	R8407			NRSA6AJ-0R0W	MG RESISTOR	0Ω,1/16W
R8002			NRSA6AJ-100W	MG RESISTOR	10Ω,1/16W	RA1001			NRZ0034-102W	NETWORK RESISTOR	1kΩ
R8004			NRSA6AJ-473W	MG RESISTOR	47kΩ,1/16W	RA1002			NRZ0034-102W	NETWORK RESISTOR	1kΩ
R8007			NRSA6AJ-103W	MG RESISTOR	10kΩ,1/16W	RA1003			NRZ0034-102W	NETWORK RESISTOR	1kΩ
R8008			NRSA6AJ-0R0W	MG RESISTOR	0Ω,1/16W	RA1004			NRZ0034-102W	NETWORK RESISTOR	1kΩ
R8011			NRSA6AJ-0R0W	MG RESISTOR	0Ω,1/16W	RA1005			NRZ0034-102W	NETWORK RESISTOR	1kΩ
R8014			NRSA6AJ-0R0W	MG RESISTOR	0Ω,1/16W	RA1006			NRZ0034-102W	NETWORK RESISTOR	1kΩ
R8015			NRVA6AD-133W	CMF RESISTOR	13kΩ,1/16W	RA1007			NRZ0034-102W	NETWORK RESISTOR	1kΩ
R8016			NRSA6AJ-0R0W	MG RESISTOR	0Ω,1/16W	RA1008			NRZ0034-104W	NETWORK RESISTOR	100kΩ
R8022			NRSA6AJ-101W	MG RESISTOR	100Ω,1/16W	RA1009			NRZ0034-104W	NETWORK RESISTOR	100kΩ
R8023			NRSA6AJ-103W	MG RESISTOR	10kΩ,1/16W	RA1010			NRZ0034-104W	NETWORK RESISTOR	100kΩ
R8024			NRSA6AJ-101W	MG RESISTOR	100Ω,1/16W	RA1401			NRZ0034-473W	NETWORK RESISTOR	47kΩ
R8027			NRSA6AJ-104W	MG RESISTOR	100kΩ,1/16W	RA1403			NRZ0034-102W	NETWORK RESISTOR	1kΩ
R8028			NRSA6AJ-104W	MG RESISTOR	100kΩ,1/16W	RA4301			NRZ0034-101W	NETWORK RESISTOR	100Ω
R8029			NRSA6AJ-104W	MG RESISTOR	100kΩ,1/16W	RA4302			NRZ0034-101W	NETWORK RESISTOR	100Ω
R8033			NRSA6AJ-104W	MG RESISTOR	100kΩ,1/16W	RA4303			NRZ0034-101W	NETWORK RESISTOR	100Ω
R8034			NRSA6AJ-101W	MG RESISTOR	100Ω,1/16W	RA4304			NRZ0034-101W	NETWORK RESISTOR	100Ω
R8035			NRSA6AJ-103W	MG RESISTOR	10kΩ,1/16W	RA4305			NRZ0034-101W	NETWORK RESISTOR	100Ω
R8036			NRSA6AJ-0R0W	MG RESISTOR	0Ω,1/16W	RA4306			NRZ0034-101W	NETWORK RESISTOR	100Ω
R8038			NRSA6AJ-473W	MG RESISTOR	47kΩ,1/16W	RA4307			NRZ0034-100W	NETWORK RESISTOR	10Ω
R8039			NRSA6AJ-101W	MG RESISTOR	100Ω,1/16W	RA4308			NRZ0034-100W	NETWORK RESISTOR	10Ω
R8040			NRSA6AJ-105W	MG RESISTOR	1MΩ,1/16W	RA4309			NRZ0034-100W	NETWORK RESISTOR	10Ω
R8046			NRSA6AJ-103W	MG RESISTOR	10kΩ,1/16W	RA4310			NRZ0034-100W	NETWORK RESISTOR	10Ω

#	△ REF No.	PART No.	PART NAME, DESCRIPTION		#	△ REF No.	PART No.	PART NAME, DESCRIPTION	
RA8001		NRZ0034-100W	NETWORK RESISTOR	10Ω	C1417		NCBA1CK-223W	CAPACITOR	0.022μF,16V
RA8002		NRZ0034-100W	NETWORK RESISTOR	10Ω	C1418		NCBA1CK-223W	CAPACITOR	0.022μF,16V
RA8003		NRZ0034-100W	NETWORK RESISTOR	10Ω	C1419		NCBA1CK-223W	CAPACITOR	0.022μF,16V
RA8004		NRZ0034-100W	NETWORK RESISTOR	10Ω	C1420		NCBA1CK-223W	CAPACITOR	0.022μF,16V
RA8401		NRZ0034-100W	NETWORK RESISTOR	10Ω	C3001		NBE80JM-106X	T CAPACITOR	10μF,6.3V
RA8402		NRZ0034-100W	NETWORK RESISTOR	10Ω	C3003		NCB21CK-105X	CAPACITOR	1μF,16V
RA8403		NRZ0034-100W	NETWORK RESISTOR	10Ω	C3004		NCB21CK-105X	CAPACITOR	1μF,16V
RA8404		NRZ0034-100W	NETWORK RESISTOR	10Ω	C3005		NBE80JM-106X	T CAPACITOR	10μF,6.3V
C1001		NBE40JM-226X	T CAPACITOR	22μF,6.3V	C3007		NCB11CK-105X	CAPACITOR	1μF,16V
C1002		NCFA1AZ-104W	CAPACITOR	0.1μF,10V	C3008		NBE80JM-106X	T CAPACITOR	10μF,6.3V
C1003		NBE40JM-226X	T CAPACITOR	22μF,6.3V	C3011		NCBA1AK-104W	CAPACITOR	0.1μF,10V
C1004		NCFA1AZ-104W	CAPACITOR	0.1μF,10V	C3012		NCBA1AK-104W	CAPACITOR	0.1μF,10V
C1005		NCFA1HZ-103W	CAPACITOR	0.01μF,50V	C3013		NCBA1CK-103W	CAPACITOR	0.01μF,16V
C1006		NDCA1HJ-130W	CAPACITOR	13pF,50V	C3015		NCBA1CK-103W	CAPACITOR	0.01μF,16V
C1007		NCFA1HZ-103W	CAPACITOR	0.01μF,50V	C3016		NCBA1AK-104W	CAPACITOR	0.1μF,10V
C1008		NCFA1HZ-103W	CAPACITOR	0.01μF,50V	C3017		NCBA1AK-104W	CAPACITOR	0.1μF,10V
C1009		NCFA1HZ-103W	CAPACITOR	0.01μF,50V	C3020		NCBA1AK-104W	CAPACITOR	0.1μF,10V
C1010		NCFA1HZ-103W	CAPACITOR	0.01μF,50V	C3021		NCBA1AK-104W	CAPACITOR	0.1μF,10V
C1011		NCFA1HZ-103W	CAPACITOR	0.01μF,50V	C3022		NCBA1AK-104W	CAPACITOR	0.1μF,10V
C1012		NCFA1HZ-103W	CAPACITOR	0.01μF,50V	C3023		NDCA1HJ-330W	CAPACITOR	33pF,50V
C1013		NCFA1HZ-103W	CAPACITOR	0.01μF,50V	C3024		NCBA1HK-102W	CAPACITOR	0.001μF,50V
C1014		NCFA1HZ-103W	CAPACITOR	0.01μF,50V	C3025		NCBA1AK-104W	CAPACITOR	0.1μF,10V
C1015		NCFA1HZ-103W	CAPACITOR	0.01μF,50V	C3026		NCB30JK-105X	CAPACITOR	1μF,6.3V
C1016		NCFA1HZ-103W	CAPACITOR	0.01μF,50V	C3027		NCBA1EK-472W	CAPACITOR	0.0047μF,25V
C1017		NCFA1HZ-103W	CAPACITOR	0.01μF,50V	C3028		NDCA1EJ-271W	CAPACITOR	270pF,25V
C1018		NCFA1HZ-103W	CAPACITOR	0.01μF,50V	C3029		NCBA1CK-103W	CAPACITOR	0.01μF,16V
C1019		NCFA1HZ-103W	CAPACITOR	0.01μF,50V	C3030		NCBA1AK-104W	CAPACITOR	0.1μF,10V
C1023		NCFA1AZ-104W	CAPACITOR	0.1μF,10V	C3031		NCBA1AK-104W	CAPACITOR	0.1μF,10V
C1026		NCFA1AZ-104W	CAPACITOR	0.1μF,10V	C3032		NCBA1HK-102W	CAPACITOR	0.001μF,50V
C1027		NCFA1HZ-103W	CAPACITOR	0.01μF,50V	C3033		NDCA1HJ-470W	CAPACITOR	47pF,50V
C1028		NCFA1HZ-103W	CAPACITOR	0.01μF,50V	C3034		NCBA1HK-102W	CAPACITOR	0.001μF,50V
C1029		NCFA1HZ-103W	CAPACITOR	0.01μF,50V	C3035		NDCA1HJ-330W	CAPACITOR	33pF,50V
C1030		NCFA1HZ-103W	CAPACITOR	0.01μF,50V	C3038		NCBA1AK-104W	CAPACITOR	0.1μF,10V
C1031		NCF31AZ-105X	CAPACITOR	1μF,10V	C3039		NCBA1AK-104W	CAPACITOR	0.1μF,10V
C1034		NCBA1CK-103W	CAPACITOR	0.01μF,16V	C3040		NCBA1AK-104W	CAPACITOR	0.1μF,10V
C1035		NCBA1CK-103W	CAPACITOR	0.01μF,16V	C3041		NCBA1AK-104W	CAPACITOR	0.1μF,10V
C1036		NCBA1CK-103W	CAPACITOR	0.01μF,16V	C3042		NCBA1CK-103W	CAPACITOR	0.01μF,16V
C1037		NCBA1CK-103W	CAPACITOR	0.01μF,16V	C3043		NCBA1CK-103W	CAPACITOR	0.01μF,16V
C1038		NCBA1CK-103W	CAPACITOR	0.01μF,16V	C3044		NCBA1AK-104W	CAPACITOR	0.1μF,10V
C1039		NCBA1CK-103W	CAPACITOR	0.01μF,16V	C3045		NCBA1AK-104W	CAPACITOR	0.1μF,10V
C1040		NCFA1HZ-103W	CAPACITOR	0.01μF,50V	C3046		NCBA1CK-103W	CAPACITOR	0.01μF,16V
C1101		NCBA1AK-104W	CAPACITOR	0.1μF,10V	C3050		NCBA1CK-103W	CAPACITOR	0.01μF,16V
C1102		NCBA1CK-223W	CAPACITOR	0.022μF,16V	C3051		NCBA1AK-104W	CAPACITOR	0.1μF,10V
C1103		NCBA1CK-223W	CAPACITOR	0.022μF,16V	C3052		NCBA1HK-102W	CAPACITOR	0.001μF,50V
C1111		NCB30JK-105X	CAPACITOR	1μF,6.3V	C3053		NCBA1AK-473W	CAPACITOR	0.047μF,10V
C1112		NBE90JM-106X	T CAPACITOR	10μF,6.3V	C3056		NCB30JK-105X	CAPACITOR	1μF,6.3V
C1113		NBE90JM-106X	T CAPACITOR	10μF,6.3V	C3057		NCBA1CK-103W	CAPACITOR	0.01μF,16V
C1307		NCBA1AK-104W	CAPACITOR	0.1μF,10V	C3058		NCBA1CK-103W	CAPACITOR	0.01μF,16V
C1401		NBE90JM-106X	T CAPACITOR	10μF,6.3V	C3060		NCBA1CK-103W	CAPACITOR	0.01μF,16V
C1402		NBE90JM-106X	T CAPACITOR	10μF,6.3V	C3061		NCB21CK-105X	CAPACITOR	1μF,16V
C1405		NCFA1AZ-104W	CAPACITOR	0.1μF,10V	C3062		NCBA1AK-104W	CAPACITOR	0.1μF,10V
C1406		NCFA1AZ-104W	CAPACITOR	0.1μF,10V	C3063		NCBA1AK-104W	CAPACITOR	0.1μF,10V
C1408		NCFA1AZ-104W	CAPACITOR	0.1μF,10V	C3501		NBE80JM-106X	T CAPACITOR	10μF,6.3V
C1409		NCFA1AZ-104W	CAPACITOR	0.1μF,10V	C3502		NBE80JM-106X	T CAPACITOR	10μF,6.3V
C1410		NCFA1AZ-104W	CAPACITOR	0.1μF,10V	C3503		NBE80JM-106X	T CAPACITOR	10μF,6.3V
C1411		NCFA1AZ-104W	CAPACITOR	0.1μF,10V	C3504		NCBA1AK-473W	CAPACITOR	0.047μF,10V
C1412		NCFA1AZ-104W	CAPACITOR	0.1μF,10V	C3505		NCBA1CK-223W	CAPACITOR	0.022μF,16V
C1413		NCFA1AZ-104W	CAPACITOR	0.1μF,10V	C3506		NCB21CK-105X	CAPACITOR	1μF,16V
C1414		NCBA1CK-103W	CAPACITOR	0.01μF,16V	C3507		NCBA1CK-103W	CAPACITOR	0.01μF,16V
C1415		NCBA1CK-103W	CAPACITOR	0.01μF,16V	C3508		NCBA1CK-103W	CAPACITOR	0.01μF,16V
C1416		NCBA1CK-103W	CAPACITOR	0.01μF,16V	C3509		NCBA1CK-103W	CAPACITOR	0.01μF,16V



#	△	REF No.	PART No.	PART NAME, DESCRIPTION	#	△	REF No.	PART No.	PART NAME, DESCRIPTION
C3510			NCBA1AK-104W	CAPACITOR 0.1μF,10V	C3961			NCBA1HK-102W	CAPACITOR 0.001μF,50V
C3511			NCBA1CK-103W	CAPACITOR 0.01μF,16V	C3962			NDCA1HJ-3R0W	CAPACITOR 3pF,50V
C3512			NCB31CK-104X	CAPACITOR 0.1μF,16V	C3963			NDCA1HJ-5R0W	CAPACITOR 5pF,50V
C3513			NCBA1AK-104W	CAPACITOR 0.1μF,10V	C3964			NDCA1HJ-330W	CAPACITOR 33pF,50V
C3514			NCBA1AK-473W	CAPACITOR 0.047μF,10V	C3965			NCBA1HK-102W	CAPACITOR 0.001μF,50V
C3515			NCBA1AK-473W	CAPACITOR 0.047μF,10V	C3967			NCBA1CK-103W	CAPACITOR 0.01μF,16V
C3516			NCBA1AK-473W	CAPACITOR 0.047μF,10V	C3968			NCBA1CK-103W	CAPACITOR 0.01μF,16V
C3517			NCBA1CK-103W	CAPACITOR 0.01μF,16V	C4201			NBE40GM-107X	T CAPACITOR 100μF,4.0V
C3518			NCBA1CK-103W	CAPACITOR 0.01μF,16V	C4202			NCBA1AK-104W	CAPACITOR 0.1μF,10V
C3519			NCBA1HK-102W	CAPACITOR 0.001μF,50V	C4203			NCB30JK-105X	CAPACITOR 1μF,6.3V
C3520			NCBA1CK-103W	CAPACITOR 0.01μF,16V	C4204			NCBA1AK-104W	CAPACITOR 0.1μF,10V
C3521			NCBA1AK-104W	CAPACITOR 0.1μF,10V	C4205			NCBA1AK-104W	CAPACITOR 0.1μF,10V
C3522			NCB20JM-475X	CAPACITOR 4.7μF,6.3V	C4206			NCB21CK-105X	CAPACITOR 1μF,16V
C3523			NCBA1CK-103W	CAPACITOR 0.01μF,16V	C4207			NCBA1AK-104W	CAPACITOR 0.1μF,10V
C3524			NCBA1CK-103W	CAPACITOR 0.01μF,16V	C4208			NCBA1HK-392W	CAPACITOR 0.0039μF,50V
C3525			NCB20JM-475X	CAPACITOR 4.7μF,6.3V	C4209			NCB30JK-105X	CAPACITOR 1μF,6.3V
C3526			NCBA1CK-103W	CAPACITOR 0.01μF,16V	C4210			NCBA1AK-104W	CAPACITOR 0.1μF,10V
C3527			NDCA1EJ-221W	CAPACITOR 220pF,25V	C4211			NCBA1AK-104W	CAPACITOR 0.1μF,10V
C3701			NBE80JM-106X	T CAPACITOR 10μF,6.3V	C4212			NCBA1AK-104W	CAPACITOR 0.1μF,10V
C3702			NDCA1HJ-181W	CAPACITOR 180pF,50V	C4213			NCBA1AK-104W	CAPACITOR 0.1μF,10V
C3703			NDCA1HJ-680W	CAPACITOR 68pF,50V	C4214			NCBA1AK-104W	CAPACITOR 0.1μF,10V
C3704			NDCA1HJ-181W	CAPACITOR 180pF,50V	C4215			NCBA1AK-104W	CAPACITOR 0.1μF,10V
C3705			NDCA1HJ-680W	CAPACITOR 68pF,50V	C4216			NCBA1AK-104W	CAPACITOR 0.1μF,10V
C3706			NCBA1CK-103W	CAPACITOR 0.01μF,16V	C4301			NCBA1AK-104W	CAPACITOR 0.1μF,10V
C3707			NCFA1AZ-104W	CAPACITOR 0.1μF,10V	C4303			NCBA1AK-104W	CAPACITOR 0.1μF,10V
C3708			NCB30JK-105X	CAPACITOR 1μF,6.3V	C4304			NCBA1AK-104W	CAPACITOR 0.1μF,10V
C3710			NCB30JK-105X	CAPACITOR 1μF,6.3V	C4305			NBE80JM-106X	T CAPACITOR 10μF,6.3V
C3711			NBE80JM-106X	T CAPACITOR 10μF,6.3V	C4306			NCBA1AK-104W	CAPACITOR 0.1μF,10V
C3712			NBE40GM-107X	T CAPACITOR 100μF,4.0V	C4307			NBE80JM-106X	T CAPACITOR 10μF,6.3V
C3713			NCBA1CK-103W	CAPACITOR 0.01μF,16V	C4308			NCBA1AK-104W	CAPACITOR 0.1μF,10V
C3714			NCBA1CK-103W	CAPACITOR 0.01μF,16V	C4309			NCBA1AK-104W	CAPACITOR 0.1μF,10V
C3716			NCBA1CK-103W	CAPACITOR 0.01μF,16V	C4310			NBE80JM-106X	T CAPACITOR 10μF,6.3V
C3717			NCB30JK-105X	CAPACITOR 1μF,6.3V	C4311			NCB30JK-105X	CAPACITOR 1μF,6.3V
C3718			NCB30JK-105X	CAPACITOR 1μF,6.3V	C4312			NCBA1AK-104W	CAPACITOR 0.1μF,10V
C3901			NCBA1AK-104W	CAPACITOR 0.1μF,10V	C4313			NBE20JM-226X	T CAPACITOR 22μF,6.3V
C3902			NCBA1AK-104W	CAPACITOR 0.1μF,10V	C4314			NCBA1AK-104W	CAPACITOR 0.1μF,10V
C3903			NCBA1AK-104W	CAPACITOR 0.1μF,10V	C4315			NBE80JM-106X	T CAPACITOR 10μF,6.3V
C3904			NCBA1AK-104W	CAPACITOR 0.1μF,10V	C4317			NCBA1AK-104W	CAPACITOR 0.1μF,10V
C3905			NCBA1AK-104W	CAPACITOR 0.1μF,10V	C4318			NCBA1AK-104W	CAPACITOR 0.1μF,10V
C3906			NCBA1AK-104W	CAPACITOR 0.1μF,10V	C4319			NCBA1AK-104W	CAPACITOR 0.1μF,10V
C3907			NCBA1AK-104W	CAPACITOR 0.1μF,10V	C4320			NCBA1AK-104W	CAPACITOR 0.1μF,10V
C3908			NCBA1AK-104W	CAPACITOR 0.1μF,10V	C4321			NCBA1AK-104W	CAPACITOR 0.1μF,10V
C3909			NCBA1AK-104W	CAPACITOR 0.1μF,10V	C4323			NCBA1AK-104W	CAPACITOR 0.1μF,10V
C3910			NCBA1CK-103W	CAPACITOR 0.01μF,16V	C4324			NBE80JM-106X	T CAPACITOR 10μF,6.3V
C3911			NCBA1AK-104W	CAPACITOR 0.1μF,10V	C4325			NCBA1AK-104W	CAPACITOR 0.1μF,10V
C3912			NCBA1AK-104W	CAPACITOR 0.1μF,10V	C4327			NCBA1AK-104W	CAPACITOR 0.1μF,10V
C3913			NCBA1AK-104W	CAPACITOR 0.1μF,10V	C4328			NCBA1AK-104W	CAPACITOR 0.1μF,10V
C3914			NCBA1AK-104W	CAPACITOR 0.1μF,10V	C4329			NCBA1AK-104W	CAPACITOR 0.1μF,10V
C3915			NCBA1AK-104W	CAPACITOR 0.1μF,10V	C4330			NCBA1AK-104W	CAPACITOR 0.1μF,10V
C3916			NBE80JM-106X	T CAPACITOR 10μF,6.3V	C4331			NBE80JM-106X	T CAPACITOR 10μF,6.3V
C3917			NCBA1AK-104W	CAPACITOR 0.1μF,10V	C4332			NCBA1AK-104W	CAPACITOR 0.1μF,10V
C3919			NCB21CK-105X	CAPACITOR 1μF,16V	C4333			NCBA1AK-104W	CAPACITOR 0.1μF,10V
C3920			NCB11CK-105X	CAPACITOR 1μF,16V	C4334			NCBA1AK-104W	CAPACITOR 0.1μF,10V
C3923			NBE20GM-476X	T CAPACITOR 47μF,4.0V	C4335			NCBA1AK-104W	CAPACITOR 0.1μF,10V
C3951			NBE20JM-226X	T CAPACITOR 22μF,6.3V	C4336			NCBA1AK-104W	CAPACITOR 0.1μF,10V
C3954			NCBA1AK-104W	CAPACITOR 0.1μF,10V	C4337			NCBA1AK-104W	CAPACITOR 0.1μF,10V
C3955			NDCA1HJ-3R0W	CAPACITOR 3pF,50V	C4338			NCBA1AK-104W	CAPACITOR 0.1μF,10V
C3956			NDCA1HJ-5R0W	CAPACITOR 5pF,50V	C4339			NCBA1AK-104W	CAPACITOR 0.1μF,10V
C3957			NDCA1HJ-330W	CAPACITOR 33pF,50V	C4340			NCBA1AK-104W	CAPACITOR 0.1μF,10V
C3958			NCB20JM-475X	CAPACITOR 4.7μF,6.3V	C4341			NCBA1AK-104W	CAPACITOR 0.1μF,10V
C3959			NCBA1CK-103W	CAPACITOR 0.01μF,16V	C4342			NCBA1AK-104W	CAPACITOR 0.1μF,10V

#	△ REF No.	PART No.	PART NAME, DESCRIPTION	#	△ REF No.	PART No.	PART NAME, DESCRIPTION
C4343		NCBA1AK-104W	CAPACITOR 0.1μF,10V	C6134		NCBA1AK-104W	CAPACITOR 0.1μF,10V
C4344		NCBA1AK-104W	CAPACITOR 0.1μF,10V	C6201		NCB21CK-105X	CAPACITOR 1μF,16V
C4345		NCBA1AK-104W	CAPACITOR 0.1μF,10V	C6202		NCB10JK-106X	CAPACITOR 10μF,6.3V
C4346		NCBA1AK-104W	CAPACITOR 0.1μF,10V	C6203		NCBA1HK-102W	CAPACITOR 0.001μF,50V
C4347		NCBA1AK-104W	CAPACITOR 0.1μF,10V	C6204		NCBA1HK-561W	CAPACITOR 560pF,50V
C4348		NCBA1AK-104W	CAPACITOR 0.1μF,10V	C6205		NCB21CK-105X	CAPACITOR 1μF,16V
C4349		NCBA1AK-104W	CAPACITOR 0.1μF,10V	C6206		NCB21CK-105X	CAPACITOR 1μF,16V
C4350		NCBA1AK-104W	CAPACITOR 0.1μF,10V	C6207		NCB10JK-106X	CAPACITOR 10μF,6.3V
C5501		NCBA1AK-104W	CAPACITOR 0.1μF,10V	C6208		NCBA1EK-472W	CAPACITOR 0.0047μF,25V
C5503		NCBA1AK-104W	CAPACITOR 0.1μF,10V	C6209		NCB21CK-105X	CAPACITOR 1μF,16V
C5504		NCBA1AK-104W	CAPACITOR 0.1μF,10V	C6210		NCB10JK-106X	CAPACITOR 10μF,6.3V
C5505		NCBA1AK-104W	CAPACITOR 0.1μF,10V	C6211		NCBA1HK-102W	CAPACITOR 0.001μF,50V
C5506		NBE40GM-476X	T CAPACITOR 47μF,4.0V	C6214		NCB21CK-105X	CAPACITOR 1μF,16V
C5507		NCBA1AK-104W	CAPACITOR 0.1μF,10V	C6215		NCB21CK-105X	CAPACITOR 1μF,16V
C5508		NCBA1AK-104W	CAPACITOR 0.1μF,10V	C6216		NCBA1AK-683W	CAPACITOR 0.068μF,10V
C5509		NCBA1AK-104W	CAPACITOR 0.1μF,10V	C6217		NCB21CK-105X	CAPACITOR 1μF,16V
C5510		NBP21VM-105X	T CAPACITOR 1μF,35V	C6218		NCB21CK-105X	CAPACITOR 1μF,16V
C5511		NBP21DM-475X	T CAPACITOR 4.7μF,20V	C6219		NCB21CK-224X	CAPACITOR 0.22μF,16V
C5512		NBE21AM-106X	T CAPACITOR 10μF,10V	C6220		NCB21CK-105X	CAPACITOR 1μF,16V
C5513		NCB31CK-104X	CAPACITOR 0.1μF,16V	C6221		NCB11EK-105X	CAPACITOR 1μF,25V
C5514		NCBA1AK-104W	CAPACITOR 0.1μF,10V	C6222		NCB11EK-105X	CAPACITOR 1μF,25V
C5515		NCBA1AK-104W	CAPACITOR 0.1μF,10V	C6224		NCBA1HK-102W	CAPACITOR 0.001μF,50V
C5516		NCBA1AK-104W	CAPACITOR 0.1μF,10V	C6225		NCBA1CK-103W	CAPACITOR 0.01μF,16V
C5517		NCB31CK-104X	CAPACITOR 0.1μF,16V	C6226		NCB21CK-105X	CAPACITOR 1μF,16V
C5518		NCBA1AK-104W	CAPACITOR 0.1μF,10V	C6227		NCB11EK-105X	CAPACITOR 1μF,25V
C5519		NCBA1AK-104W	CAPACITOR 0.1μF,10V	C6228		NCB11EK-105X	CAPACITOR 1μF,25V
C6001		NCBA1CK-103W	CAPACITOR 0.01μF,16V	C6230		NCB21CK-105X	CAPACITOR 1μF,16V
C6002		NCFA1AZ-104W	CAPACITOR 0.1μF,10V	C6601		NCBA1CK-103W	CAPACITOR 0.01μF,16V
C6003		NBE80JM-106X	T CAPACITOR 10μF,6.3V	C6602		NCB21CK-105X	CAPACITOR 1μF,16V
C6004		NCB21CK-105X	CAPACITOR 1μF,16V	C6603		NCBA1HK-102W	CAPACITOR 0.001μF,50V
C6005		NDCA1HJ-101W	CAPACITOR 100pF,50V	C6604		NCBA1AK-473W	CAPACITOR 0.047μF,10V
C6101		NCB21CK-105X	CAPACITOR 1μF,16V	C6611		NCBA1CK-223W	CAPACITOR 0.022μF,16V
C6102		NBP41CM-106X	T CAPACITOR 10μF,16V	C6612		NDCA1EJ-221W	CAPACITOR 220pF,25V
C6103		NCB21CK-105X	CAPACITOR 1μF,16V	C6613		NDCA1EJ-121W	CAPACITOR 120pF,25V
C6105		NCB21CK-105X	CAPACITOR 1μF,16V	C6701		NCB21CK-105X	CAPACITOR 1μF,16V
C6106		NCB21CK-105X	CAPACITOR 1μF,16V	C6703		NCB11CK-105X	CAPACITOR 1μF,16V
C6107		NCB21CK-105X	CAPACITOR 1μF,16V	C7001		NCBA1AK-104W	CAPACITOR 0.1μF,10V
C6108		NCB21CK-105X	CAPACITOR 1μF,16V	C7002		NCB21CK-105X	CAPACITOR 1μF,16V
C6109		NCB21CK-105X	CAPACITOR 1μF,16V	C7003		NCB21AK-225X	CAPACITOR 2.2μF,10V
C6110		NCBA1AK-104W	CAPACITOR 0.1μF,10V	C7004		NBE81AM-106X	T CAPACITOR 10μF,10V
C6111		NCBA1AK-104W	CAPACITOR 0.1μF,10V	C8001		NBE90JM-106X	T CAPACITOR 10μF,6.3V
C6112		NCBA1AK-333W	CAPACITOR 0.033μF,10V	C8002		NCBA1CK-103W	CAPACITOR 0.01μF,16V
C6113		NCBA1HK-561W	CAPACITOR 560pF,50V	C8003		NCBA1CK-103W	CAPACITOR 0.01μF,16V
C6114		NCBA1HK-272W	CAPACITOR 0.0027μF,50V	C8004		NCBA1CK-103W	CAPACITOR 0.01μF,16V
C6115		NCBA1HK-561W	CAPACITOR 560pF,50V	C8005		NCBA1AK-104W	CAPACITOR 0.1μF,10V
C6116		NCBA1CK-103W	CAPACITOR 0.01μF,16V	C8006		NCBA1AK-104W	CAPACITOR 0.1μF,10V
C6117		NCBA1AK-104W	CAPACITOR 0.1μF,10V	C8007		NBE80JM-106X	T CAPACITOR 10μF,6.3V
C6118		NCBA1AK-104W	CAPACITOR 0.1μF,10V	C8008		NCB30JK-105X	CAPACITOR 1μF,6.3V
C6119		NDCA1HJ-101W	CAPACITOR 100pF,50V	C8009		NCBA1AK-104W	CAPACITOR 0.1μF,10V
C6120		NCB11CK-105X	CAPACITOR 1μF,16V	C8010		NBE80JM-106X	T CAPACITOR 10μF,6.3V
C6121		NCB31CK-104X	CAPACITOR 0.1μF,16V	C8011		NCB30JK-105X	CAPACITOR 1μF,6.3V
C6122		NCBA1AK-333W	CAPACITOR 0.033μF,10V	C8014		NCB30JK-105X	CAPACITOR 1μF,6.3V
C6123		NCBA1CK-103W	CAPACITOR 0.01μF,16V	C8015		NCBA1AK-104W	CAPACITOR 0.1μF,10V
C6124		NCBA1CK-103W	CAPACITOR 0.01μF,16V	C8017		NCBA1AK-104W	CAPACITOR 0.1μF,10V
C6125		NCBA1CK-103W	CAPACITOR 0.01μF,16V	C8020		NBE80JM-106X	T CAPACITOR 10μF,6.3V
C6126		NCBA1CK-103W	CAPACITOR 0.01μF,16V	C8021		NCBA1CK-103W	CAPACITOR 0.01μF,16V
C6127		NCBA1HK-102W	CAPACITOR 0.001μF,50V	C8022		NCBA1CK-103W	CAPACITOR 0.01μF,16V
C6128		NCB21CK-105X	CAPACITOR 1μF,16V	C8023		NCBA1CK-103W	CAPACITOR 0.01μF,16V
C6129		NCBA1HK-561W	CAPACITOR 560pF,50V	C8024		NCBA1CK-103W	CAPACITOR 0.01μF,16V
C6130		NCBA1AK-104W	CAPACITOR 0.1μF,10V	C8025		NCBA1CK-103W	CAPACITOR 0.01μF,16V
C6132		NCBA1AK-104W	CAPACITOR 0.1μF,10V	C8026		NCBA1CK-103W	CAPACITOR 0.01μF,16V

#	△ REF No.	PART No.	PART NAME, DESCRIPTION	#	△ REF No.	PART No.	PART NAME, DESCRIPTION
C8027		NCBA1CK-103W	CAPACITOR 0.01μF,16V	L1401		NQR0006-001X	FERRITE BEAD
C8028		NCBA1CK-103W	CAPACITOR 0.01μF,16V	L1402		NRSA02J-0R0X	MG RESISTOR 0Ω,1/10W
C8029		NCBA1CK-103W	CAPACITOR 0.01μF,16V	L3001		NQR0006-001X	FERRITE BEAD
C8030		NCBA1CK-103W	CAPACITOR 0.01μF,16V	L3002		NQR0129-002X	FERRITE BEAD
C8031		NCBA1CK-103W	CAPACITOR 0.01μF,16V	L3003		NQR0129-002X	FERRITE BEAD
C8032		NCBA1CK-103W	CAPACITOR 0.01μF,16V	L3004		NQR0006-001X	FERRITE BEAD
C8033		NCBA1CK-103W	CAPACITOR 0.01μF,16V	L3005		NQR0129-002X	FERRITE BEAD
C8034		NCBA1CK-103W	CAPACITOR 0.01μF,16V	L3006		NQR0006-001X	FERRITE BEAD
C8035		NCBA1CK-103W	CAPACITOR 0.01μF,16V	L3007		NQL085J-2R2X	COIL 2.2μH
C8036		NCBA1CK-103W	CAPACITOR 0.01μF,16V	L3008		NQL085J-120X	COIL 12μH
C8037		NCBA1CK-103W	CAPACITOR 0.01μF,16V	L3009		NQL085J-120X	COIL 12μH
C8038		NCBA1CK-103W	CAPACITOR 0.01μF,16V	L3012		NQR0006-001X	FERRITE BEAD
C8039		NCBA1CK-103W	CAPACITOR 0.01μF,16V	L3013		NQR0006-001X	FERRITE BEAD
C8040		NCBA1CK-103W	CAPACITOR 0.01μF,16V	L3501		NQR0129-002X	FERRITE BEAD
C8041		NCBA1CK-103W	CAPACITOR 0.01μF,16V	L3502		NQL402M-100X	COIL 10μH
C8042		NCBA1CK-103W	CAPACITOR 0.01μF,16V	L3503		NQR0006-001X	FERRITE BEAD
C8043		NCBA1CK-103W	CAPACITOR 0.01μF,16V	L3504		NQR0006-001X	FERRITE BEAD
C8044		NBE20JM-226X	T CAPACITOR 22μF,6.3V	L3505		NQR0006-001X	FERRITE BEAD
C8045		NBE20JM-226X	T CAPACITOR 22μF,6.3V	L3701		NQL38DK-100X	COIL 10μH
C8046		NBE80JM-106X	T CAPACITOR 10μF,6.3V	L3901		NQR0006-001X	FERRITE BEAD
C8048		NBE20JM-226X	T CAPACITOR 22μF,6.3V	L3902		NQR0129-002X	FERRITE BEAD
C8049		NCBA1CK-103W	CAPACITOR 0.01μF,16V	L3904		NQL04DK-220X	COIL 22μH
C8050		NCBA1CK-103W	CAPACITOR 0.01μF,16V	L3951		NQL402M-100X	COIL 10μH
C8051		NBE20JM-226X	T CAPACITOR 22μF,6.3V	L3952		NQL085J-6R8X	COIL 6.8μH
C8052		NCBA1CK-103W	CAPACITOR 0.01μF,16V	L3953		NQL085J-6R8X	COIL 6.8μH
C8054		NCB31HK-392X	CAPACITOR 0.0039μF,50V	L4201		NQR0129-002X	FERRITE BEAD
C8056		NCBA1CK-103W	CAPACITOR 0.01μF,16V	L4301		NQR0129-002X	FERRITE BEAD
C8057		NCBA1CK-103W	CAPACITOR 0.01μF,16V	L4302		NQR0129-002X	FERRITE BEAD
C8058		NCBA1AK-104W	CAPACITOR 0.1μF,10V	L4303		NQL315K-100X	COIL 10μH
C8059		NCBA1CK-103W	CAPACITOR 0.01μF,16V	L4304		NQL315K-220X	COIL 22μH
C8060		NCBA1CK-103W	CAPACITOR 0.01μF,16V	L4305		NQR0129-002X	FERRITE BEAD
C8063		NBE20JM-226X	T CAPACITOR 22μF,6.3V	L4306		NQR0129-002X	FERRITE BEAD
C8064		NBE20JM-226X	T CAPACITOR 22μF,6.3V	L4307		NQL315K-100X	COIL 10μH
C8065		NBE20JM-226X	T CAPACITOR 22μF,6.3V	L5501		NQL315K-100X	COIL 10μH
C8101		NBE80JM-106X	T CAPACITOR 10μF,6.3V	L5502		NQR0129-002X	FERRITE BEAD
C8102		NBE80JM-106X	T CAPACITOR 10μF,6.3V	L5503		NQR0129-002X	FERRITE BEAD
C8103		NCBA1CK-103W	CAPACITOR 0.01μF,16V	L5504		NQR0129-002X	FERRITE BEAD
C8104		NCBA1CK-103W	CAPACITOR 0.01μF,16V	L5505		NQL315K-100X	COIL 10μH
C8105		NCBA1CK-103W	CAPACITOR 0.01μF,16V	L5506		NQL315K-100X	COIL 10μH
C8106		NCBA1CK-103W	CAPACITOR 0.01μF,16V	L6101		NQLZ011-4R7X	COIL 4.7μH
C8107		NCBA1CK-103W	CAPACITOR 0.01μF,16V	L6102		NQLZ011-4R7X	COIL 4.7μH
C8108		NCBA1CK-103W	CAPACITOR 0.01μF,16V	L6201		NQLZ011-390X	COIL 39μH
C8109		NCBA1CK-103W	CAPACITOR 0.01μF,16V	L6202		NQLZ011-390X	COIL 39μH
C8110		NCBA1CK-103W	CAPACITOR 0.01μF,16V	L6203		NQLZ011-390X	COIL 39μH
C8111		NCBA1CK-103W	CAPACITOR 0.01μF,16V	L6204		NQL144K-220X	COIL 22μH
C8112		NCBA1CK-103W	CAPACITOR 0.01μF,16V	L6206		NQLZ011-470X	COIL 47μH
C8113		NCBA1CK-103W	CAPACITOR 0.01μF,16V	L6207		NQLZ011-470X	COIL 47μH
C8114		NCBA1CK-103W	CAPACITOR 0.01μF,16V	L6208		NQLZ011-221X	COIL 220μH
C8115		NCBA1CK-103W	CAPACITOR 0.01μF,16V	L6209		NQL144K-221X	COIL 220μH
C8116		NCBA1CK-103W	CAPACITOR 0.01μF,16V	L6210		NQL144K-220X	COIL 22μH
C8117		NDCA1HJ-5R0W	CAPACITOR 5pF,50V	L6601		NQR0006-001X	FERRITE BEAD
C8118		NDCA1HJ-5R0W	CAPACITOR 5pF,50V	L6701		NQLZ007-100X	COIL 10μH
C8119		NCBA1CK-103W	CAPACITOR 0.01μF,16V	L7001		NQL402M-100X	COIL 10μH
C8401		NBE80JM-106X	T CAPACITOR 10μF,6.3V	L7002		NQL402M-100X	COIL 10μH
C8402		NCBA1AK-104W	CAPACITOR 0.1μF,10V	L8001		NQR0129-002X	FERRITE BEAD
C8403		NCBA1AK-104W	CAPACITOR 0.1μF,10V	L8002		NQR0129-002X	FERRITE BEAD
C8404		NCBA1AK-104W	CAPACITOR 0.1μF,10V	L8003		NQR0129-002X	FERRITE BEAD
C8405		NBE80JM-106X	T CAPACITOR 10μF,6.3V	L8005		NQR0129-002X	FERRITE BEAD
L1001		NQL315K-100X	COIL 10μH	L8006		NQR0129-002X	FERRITE BEAD
L1002		NQL315K-100X	COIL 10μH	L8007		NQR0129-002X	FERRITE BEAD
L1101		NQL402M-100X	COIL 10μH	L8008		NQR0129-002X	FERRITE BEAD

#	△ REF No.	PART No.	PART NAME, DESCRIPTION	#	△ REF No.	PART No.	PART NAME, DESCRIPTION
		L8010	NQR0129-002X				FERRITE BEAD
		L8011	NQR0129-002X				FERRITE BEAD
		L8012	NQR0129-002X				FERRITE BEAD
		L8101	NQR0006-001X				FERRITE BEAD
		L8102	NQR0006-001X				FERRITE BEAD
		L8401	NQR0006-001X				FERRITE BEAD
		L8402	NQR0006-001X				FERRITE BEAD
		X1001	NAX0474-001X				C OSCILLATOR
		X1002	NAX0325-001X				CRYSTAL RESONATOR
		X5501	NAX0356-001X				CXO
		X8002	NAX0354-001X				RESONATOR
		X8101	NAX0402-001X				CRYSTAL RESONATOR
		X8401	NAX0398-001X				C OSCILLATOR
		S1001	NSW0132-001X				DETECT SWITCH,MONITOR SW
		FW1	QAL0246-002				FPC,BATTERY TERMINAL
		FW2	QAL0303-001				FPC,CN103-JACK CN901
		TB1	LY31799-001A				BATTERY TERMINAL
		J101	NNZ0028-001				D CONNECTOR
		CN101	QGB0405L1-80X				CONNECTOR
		CN102	QGB0405L1-80X				CONNECTOR
		CN103	QGF0507F3-18X				FFC/FPC CONNECTOR
		CN104	QGA1001F1-03X				CONNECTOR
		CN105	QGB0506L1-20X				CONNECTOR
		CN106	QGF0301F1-45X				FPC CONNECTOR
		CN107	QGF0503F2-20X				FFC/FPC CONNECTOR
		CN109	QGF0517F1-12X				FPC CONNECTOR
		CN110	QGF0513F1-08X				FPC CONNECTOR
		CN111	QGF0513F2-06X				FPC CONNECTOR
		CN112	QGF0507F3-16X				FFC/FPC CONNECTOR
	△	F6101	NMFZ007-2R0X-K				FUSE T2.0A,50V
		OT1	LY30029-0G1B				SPACER(A)
		OT2	LY30029-0J1A				SPACER(A)
		OT3	LY30029-039A				SPACER(A)
		OT4	LY30029-0F9A				SPACER(A),X2
		OT5	LY30029-0G2B				SPACER(A)
		OT6	LY30029-0E2A				SPACER(A)
		OT7	LY30029-0Q3A				SPACER(A)
		OT8	LY30029-0Q1A				SPACER(A)
		SD1	LY31714-001A				SHIELD CASE
		SD2	LY43131-001A				SHIELD PLATE
		SD3	LY43181-001A				SHIELD SHEET